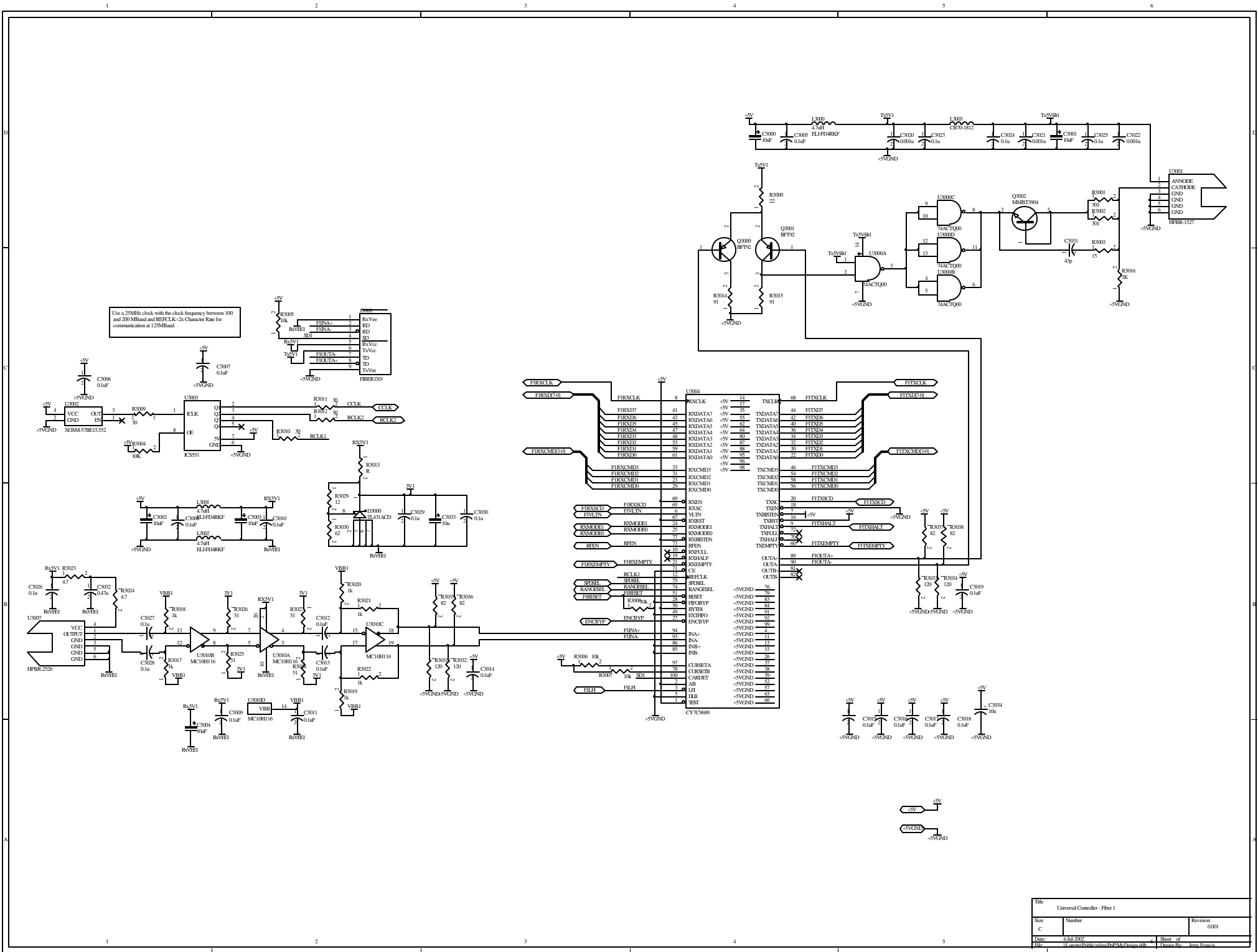
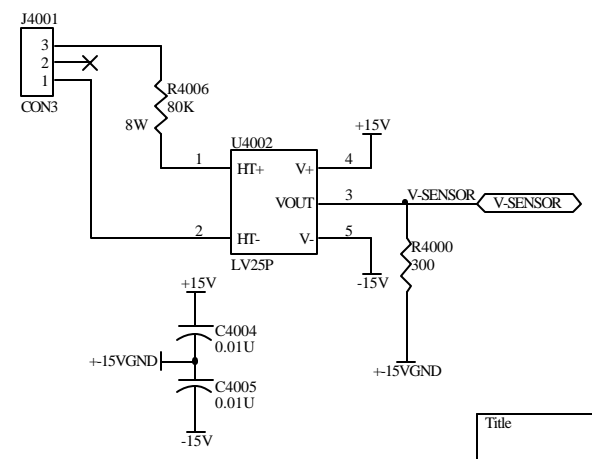
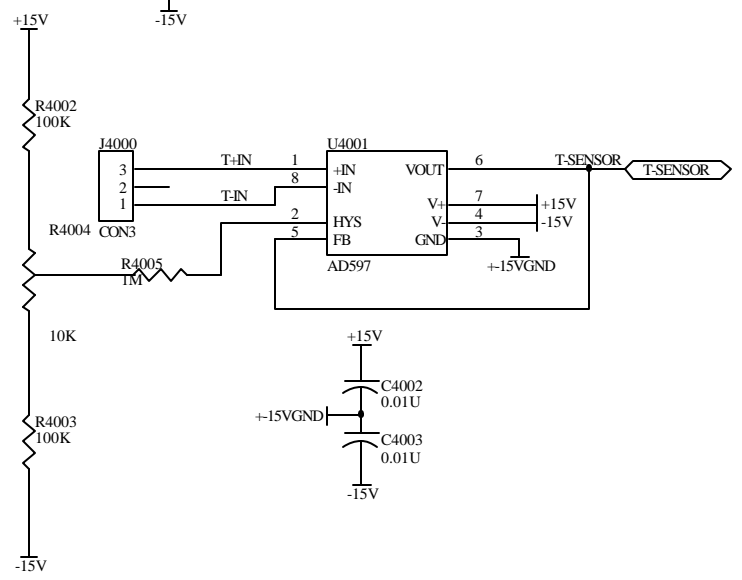
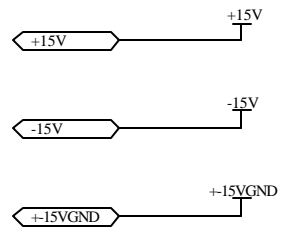
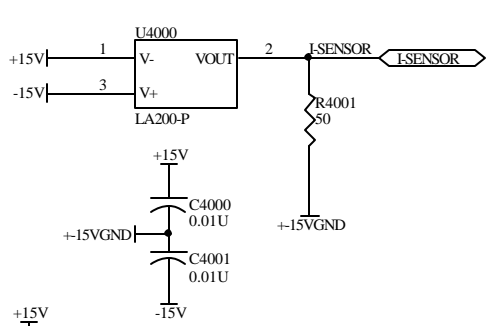


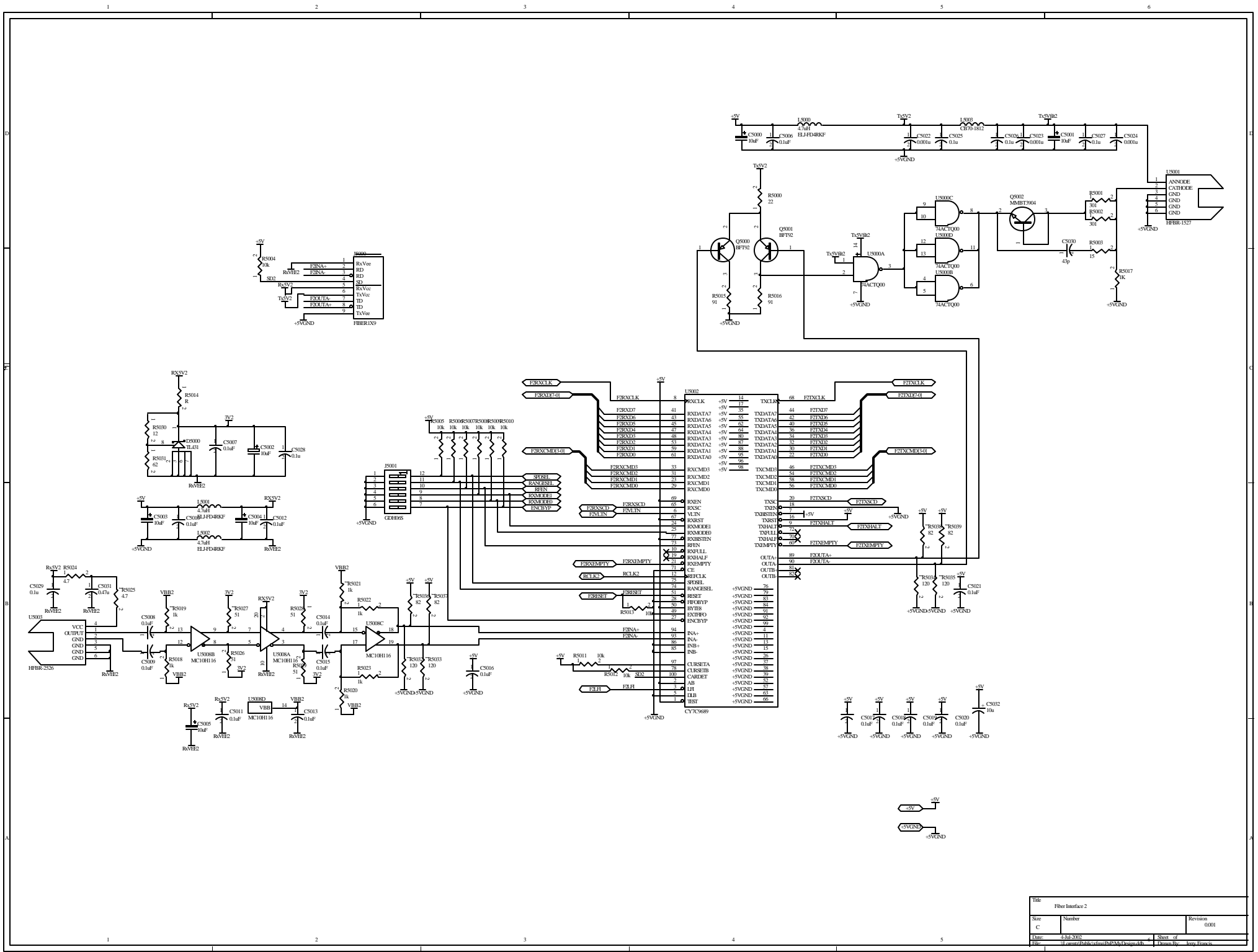
Title		
Size	Number	Revision
A4		
Date:	4-Jul-2002	Sheet of
File:	\\lrentz\Public\xfma\PnPM\MyDesign.ddb	Drawn By:



Title: Universal Controller - Fiber 1		
Size	Number	Revision
C		0001
Date:	4-Jul-2000	Sheet of
Drawn By:	Uguz/Parik/Arslan/Arslan/Arslan/Arslan	Design By: Arslan/Arslan



Title		
Size	Number	Revision
A4		
Date:	4-Jul-2002	Sheet of
File:	\\Lorenz\Public\xfma\Pn\PM\MyDesign.ddb	Drawn By:



Title: Fiber Interface 2		
Size: C	Number: 1	Revision: 0001
Date: 4-Jul-2000	Sheet of: 1	Drawn By: Amy Francis